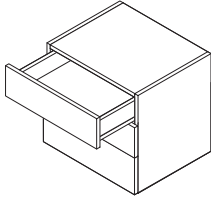




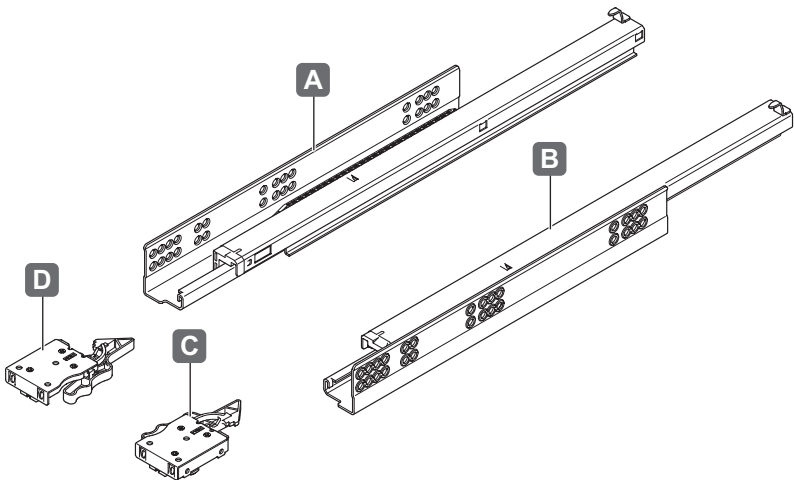
## Matrix Runner UM A

433.03.00x  
433.03.01x  
433.03.13x

433.04.10x  
433.03.18x

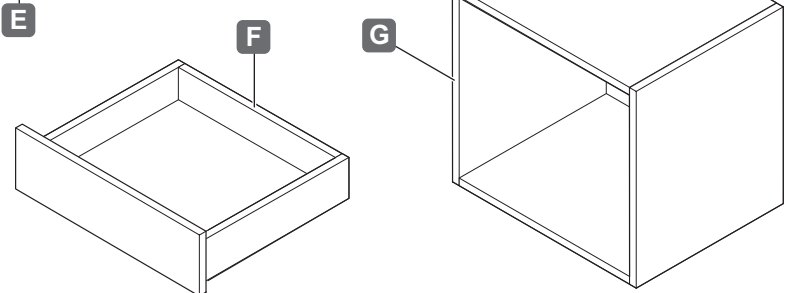


732.24.521



+

HCSPA Ø3.5x16 4-10x  
VARIANTA Ø3.5x16 4-10x



HDE 15.07.2021

i



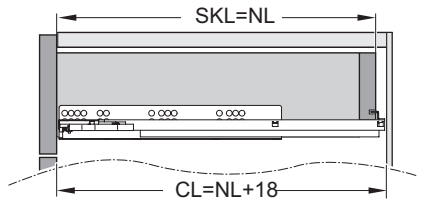
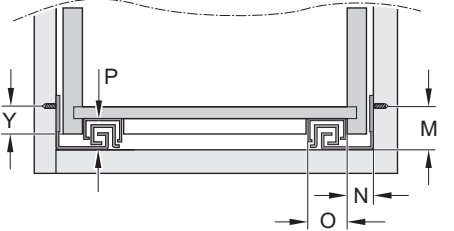
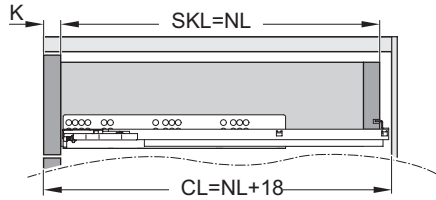
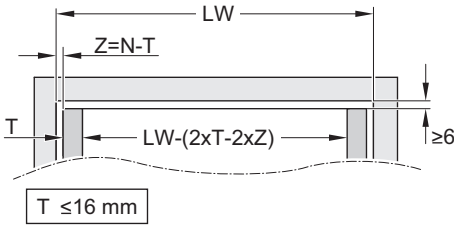
Ø 21x15  
Ø 30x15



Ø 6

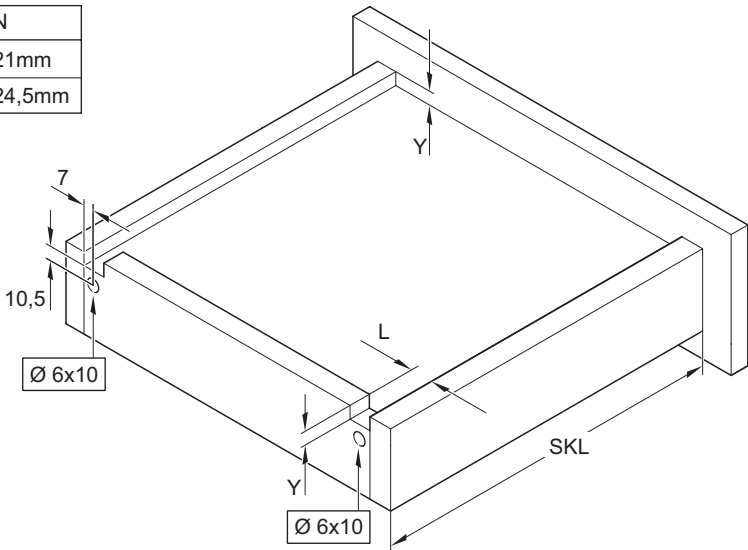


„mm“



25kg 	L=21mm	M=32mm	O=18mm	P=22,5mm	Y ≥ 9 mm
30kg 	L=30mm	M=36,5mm	O=26,6mm	P=27,5mm	Y ≥ 11 mm

T	N
16mm	21mm
19mm	24,5mm



732.24.521

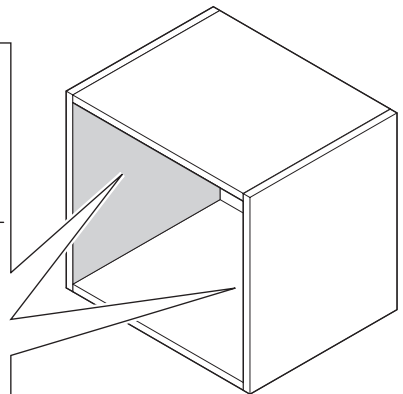
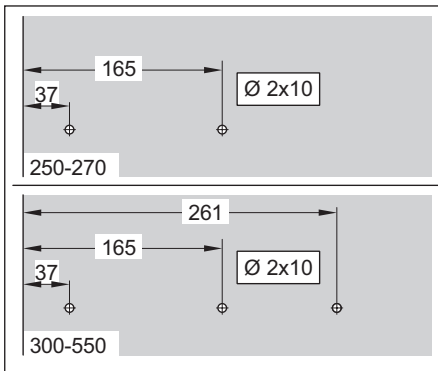
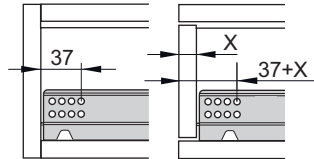
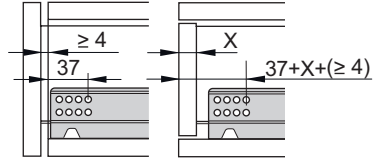
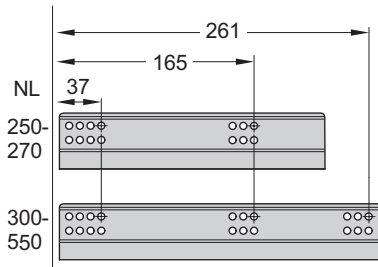
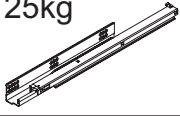
HDE 15.07.2021

i



mm

25kg



732.24.521

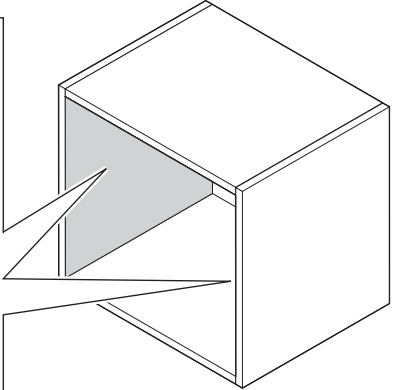
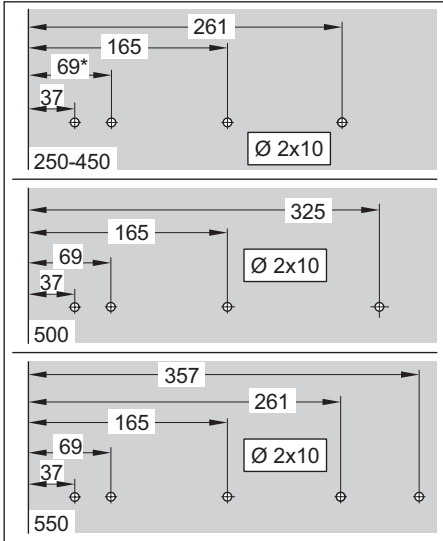
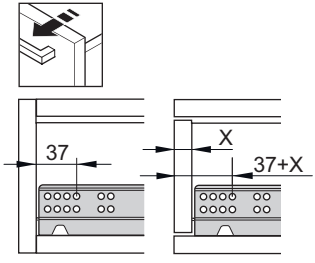
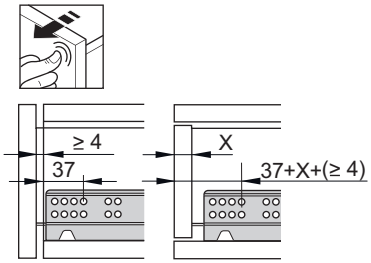
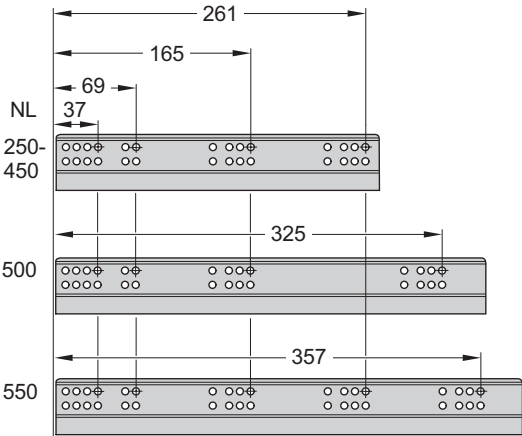
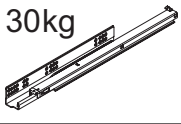
HDE 15.07.2021

i



„mm“

30kg



732.24.521

HDE 15.07.2021

1



PZ 2

HCSPA

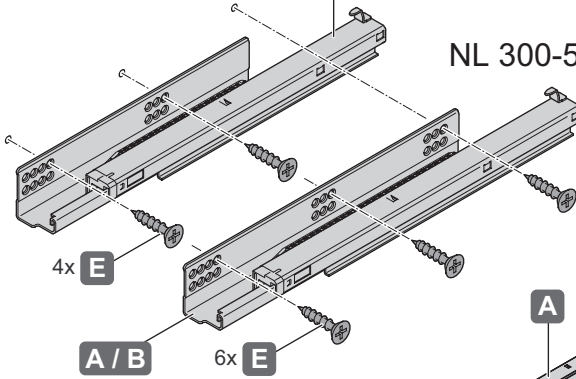


Ø3.5x16 6-10x

NL 250-270 - 25kg

A / B

NL 300-550 - 25kg



4x E

A / B

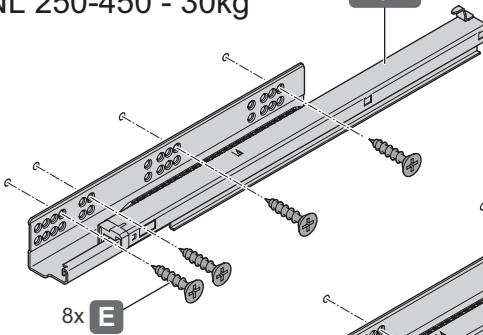
6x E

A

B

NL 250-450 - 30kg

A / B

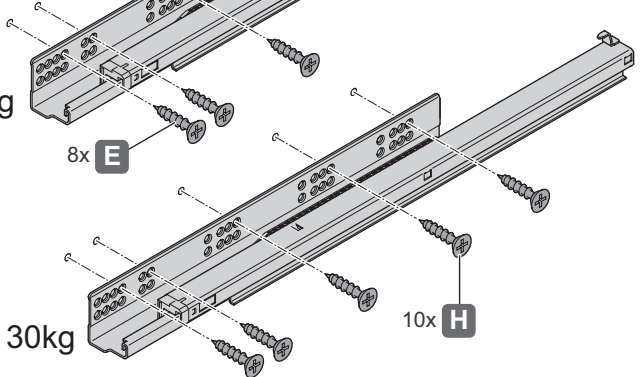


8x E

A / B

NL 500 - 30kg

8x E



NL 550 - 30kg

10x H

732.24.521

HDE 15.07.2021

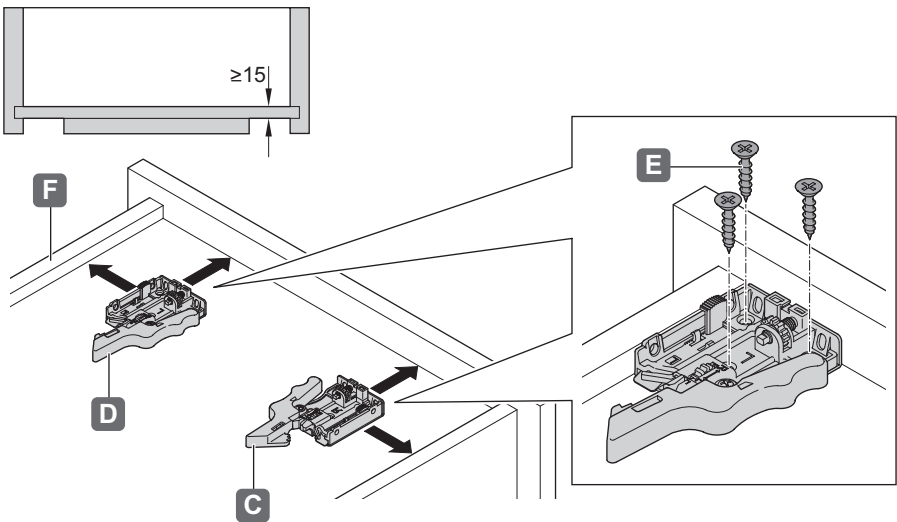
2



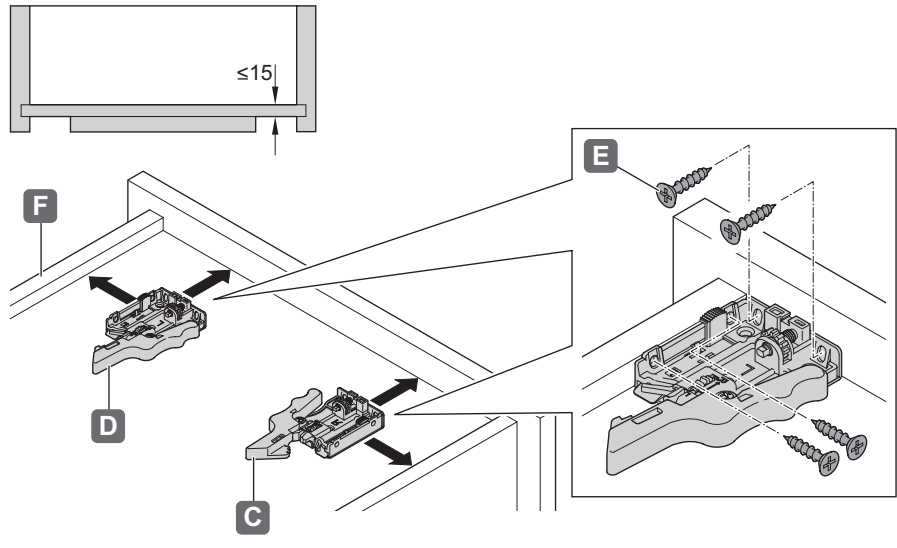
PZ 2



$\geq 15$



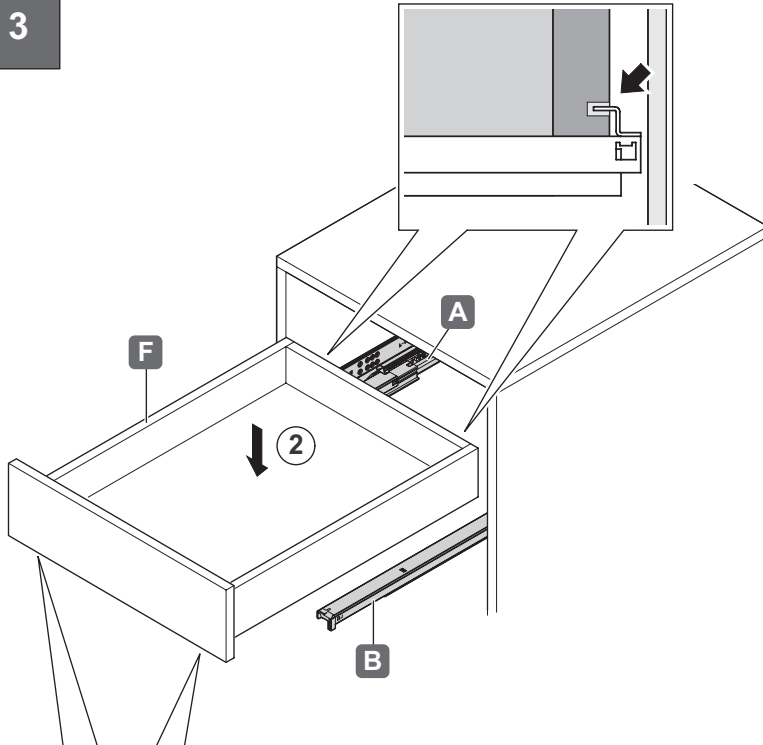
$\leq 15$



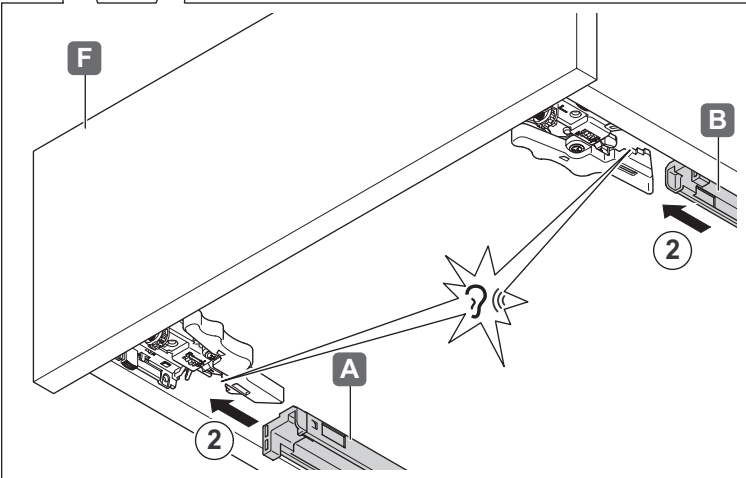
732.24.521

HDE 15.07.2021

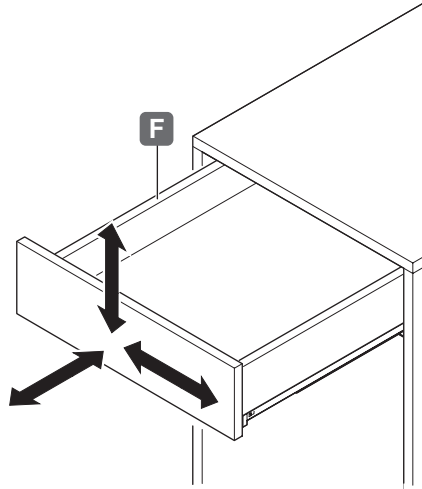
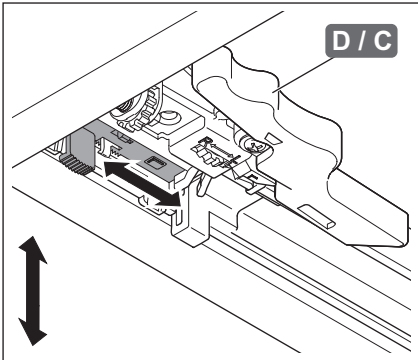
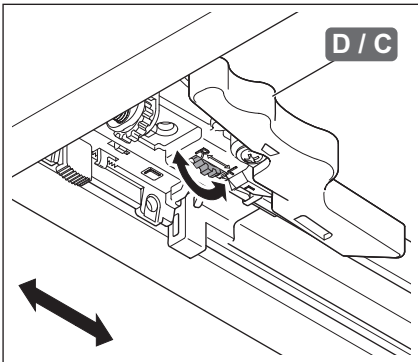
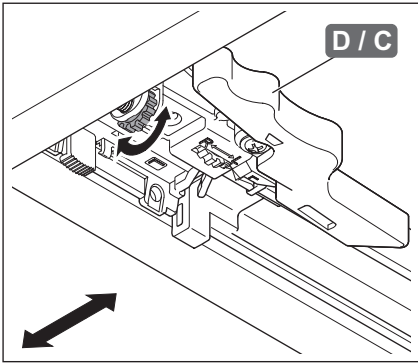
3



732.24.521



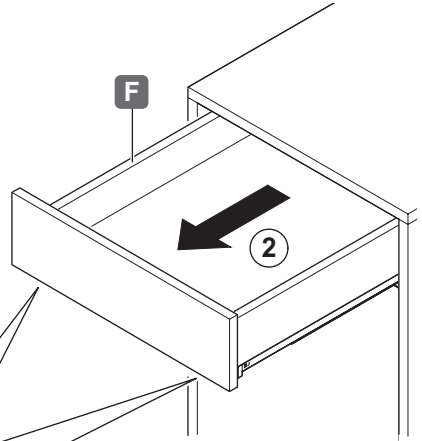
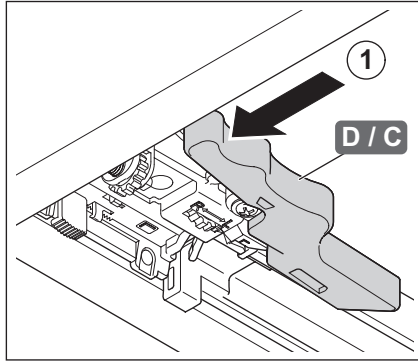
HDE 15.07.2021



732.24.521

HDE 15.07.2021





732.24.521

HDE 15.07.2021

732.24.521

HDE 15.07.2021

732.24.521

HDE 15.07.2021

732.24.521

HDE 15.07.2021